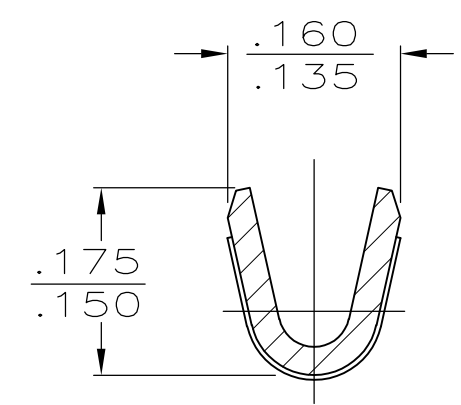
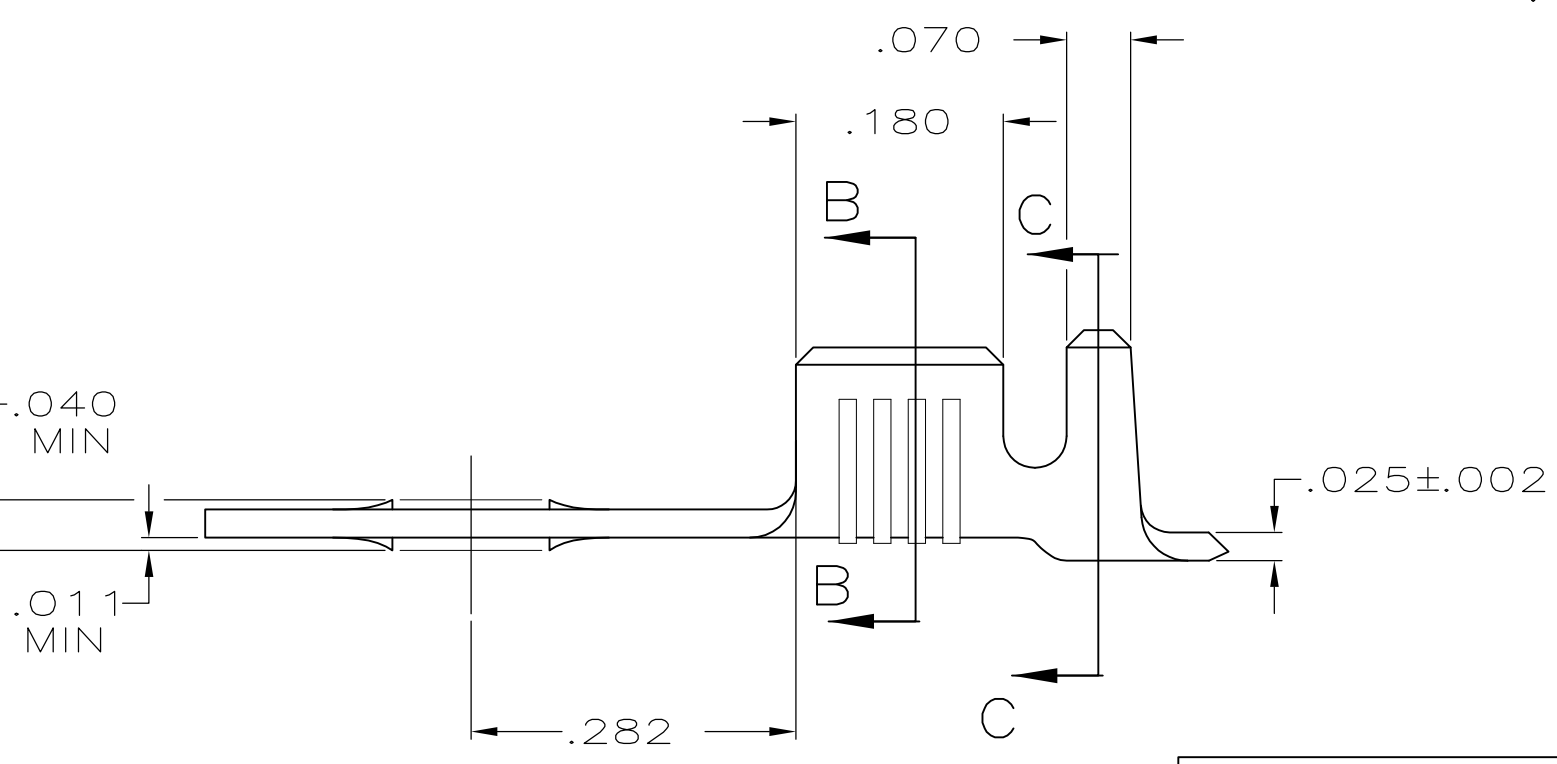
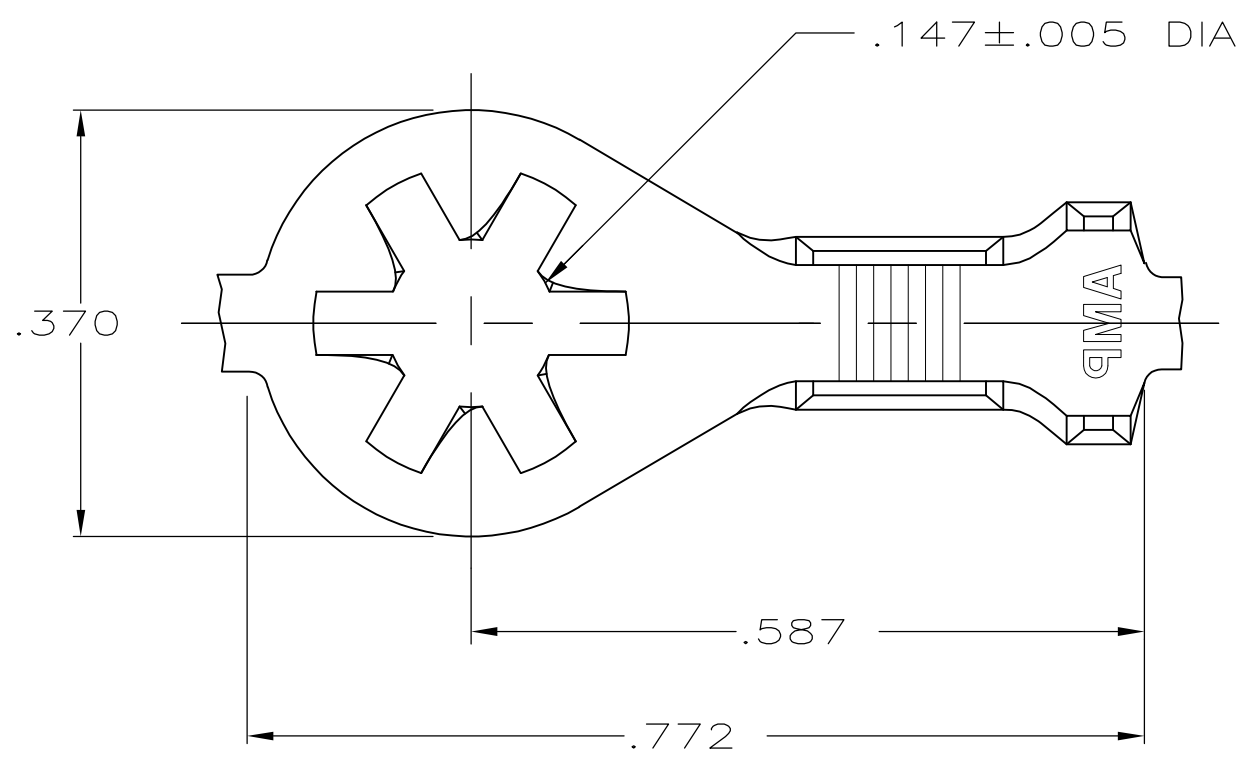
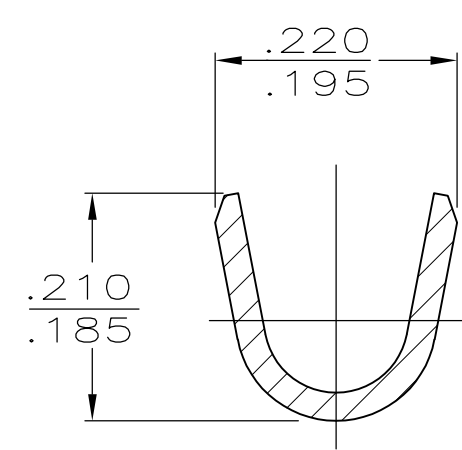


THIS DRAWING IS UNPUBLISHED. RELEASED FOR PUBLICATION
 © COPYRIGHT BY TYCO ELECTRONICS CORPORATION. ALL RIGHTS RESERVED.

LOC	DIST	REVISIONS					
AF	50	P	LTR	DESCRIPTION	DATE	DWN	APVD
			K	REVISED PER ECR-07-014127	25SEP07	HMR	DD



SECTION B-B



SECTION C-C

- 1 CONTINUOUS STRIP ON REELS
- △2 .000080 MIN TIN PLATE
- △3 .000150 MIN TIN PLATE
- △4 PRELIMINARY - NOT FOR PRODUCTION

△3	.105-.145	18-14	△4	61793-4
NICKEL PL	.105-.145	18-14	△4	61793-2
△2	.105-.145	18-14		61793-1
FINISH	INSULATION RANGE	WIRE SIZE	PART NO	

THIS DRAWING IS A CONTROLLED DOCUMENT.		DWN 5/15/87 D HOLLINGSWORTH	Tyco Electronics Corporation Harrisburg, PA 17105-3608															
DIMENSIONS: INCHES		CHK 11/23/87 G YETTER	NAME															
TOLERANCES UNLESS OTHERWISE SPECIFIED:		APVD 12/2/87 RP FRANTZ	RING															
<table border="0"> <tr><td>0 PLC</td><td>± -</td></tr> <tr><td>1 PLC</td><td>± -</td></tr> <tr><td>2 PLC</td><td>± -</td></tr> <tr><td>3 PLC</td><td>± .015</td></tr> <tr><td>4 PLC</td><td>± -</td></tr> <tr><td>ANGLES</td><td>± -</td></tr> </table>		0 PLC	± -	1 PLC	± -	2 PLC	± -	3 PLC	± .015	4 PLC	± -	ANGLES	± -	PRODUCT SPEC	SIZE	CAGE CODE	DRAWING NO	RESTRICTED TO
0 PLC	± -																	
1 PLC	± -																	
2 PLC	± -																	
3 PLC	± .015																	
4 PLC	± -																	
ANGLES	± -																	
MATERIAL	FINISH	WEIGHT	A300779 C-61793															
T2 STEEL	SEE TABLE	-	CUSTOMER DRAWING		SCALE 6:1	SHEET 1 OF 1	REV K											